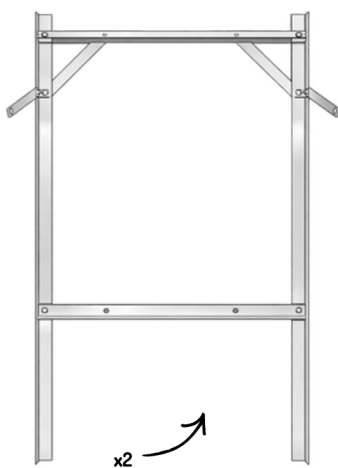


**Components:**



- Throughout initial assembly the nuts and bolts need only be **finger tight**. The structure will be squared out on a level floor later on. In this model the nuts can be used in either direction.
- Having the nuts on the outside is the quicker option, however, having the nuts on the inside gives a neater finish.

**1**



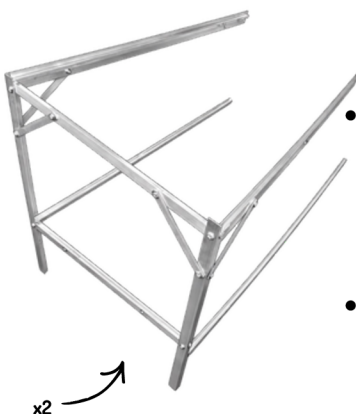
- First, assemble one end section using the corner legs (x2) and width rails (x2). **Tip:** Preload the side bracings (x4) at this stage—it will make later assembly easier.
- Repeat this step to create the second end section.

**2**



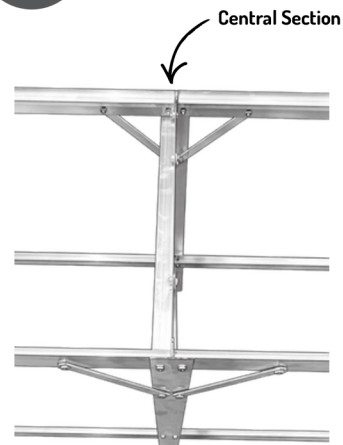
- Using the same process, assemble the intermediate section using the T-shaped legs (x2) and width rails (x2). This will form the central section of the staging.
- Again, preload the side bracings (x6) at this stage—it will make later assembly easier.

**3**



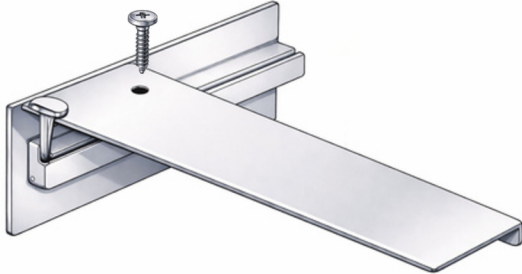
- Attach the four length rails (890mm) to one end section.
- Ensure the channel side faces upward, as it will be used later to secure the slats.
- Repeat this process with the other end section.

**4**



- Using the intermediate section and the two pre-assembled end sections, join all eight length rails to the intermediate section, as illustrated.
- Secure them with the preloaded side bracings.

5



- Using the supplied slats and screws, evenly space the slats along both tiers of the staging. Once you are satisfied with their positioning, secure them by screwing into the channel of the length rails.

- **Option:** The above step (step 5) can be completed either before or after tightening nuts & bolts (step 6 - below).

6



- Finally, place the staging on a flat, level surface. Level the staging and fully tighten all remaining nuts and bolts.
- **Your staging is now complete.**

If you would like a brochure containing our extensive product range then please contact us at:

'The Greenhouse People', Unit 19 Blythe Park, Cresswell Lane, Cresswell, Stoke—On—Trent. Staffs.

If you have any queries please do not hesitate

to call us on: **01782 388811**

**[www.thegreenhousepeople.co.uk](http://www.thegreenhousepeople.co.uk)**